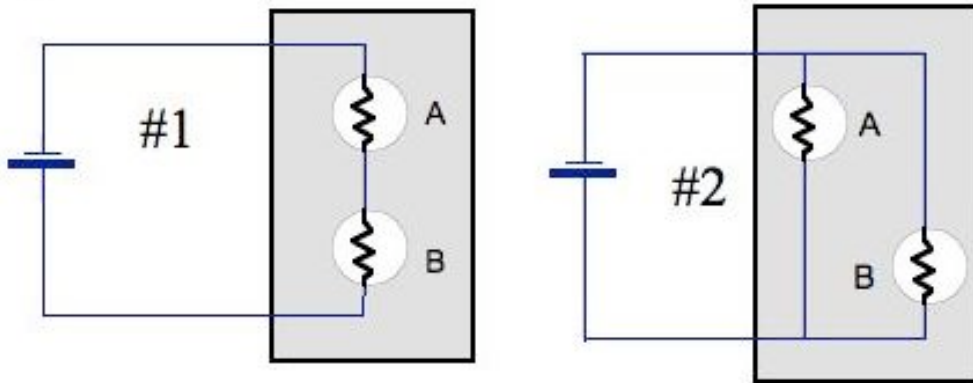


In the two cases shown here a battery is connected up to a box containing some resistors. The battery provides an EMF  $=V_0$ .



Which box will draw more current from the battery?

1. They will draw the same amount.
2. #1 will draw twice as much as #2.
3. #1 will draw more than #2 but not twice.
4. #2 will draw twice as much as #1
5. #2 will draw more than #2 but not twice.
6. You can't tell from the information given